



HANDS-ON CONTROL

AUXILIARY HAND CONTROLS

The Kongsberg Automotive Remote Value Control is designed to provide remote control of high pressure hydraulic valves, such as directional control spool valves. The valves and controls can be positioned for convenient installation and operation, eliminating the challenges of hydraulic lines.

The compact Remote Valve Control offers easy installation and can be used as a single control, or stacked to operate multiple valves. The controls are connected to the valve by our high efficiency push pull cable and a valve connection kit. Dual axis controls are available to operate two valves from a single control lever.

This Remote Valve Control combines flexibility, durability and reliability to meet the highest performance requirements of construction equipment and specialty vehicle manufacturers.



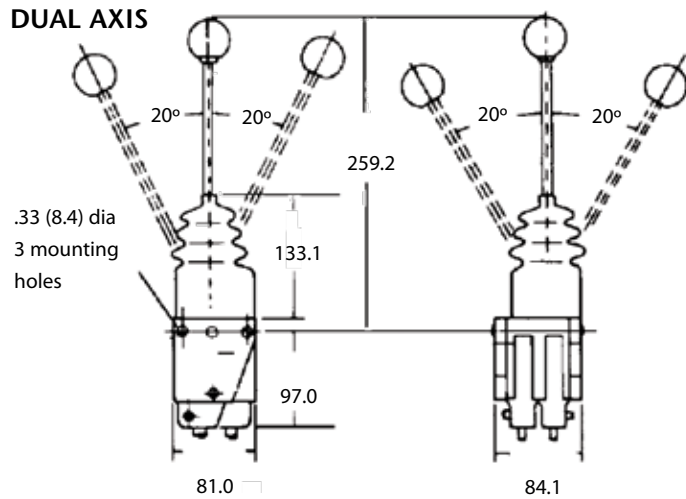
AT A GLANCE

The Remote Value Control provides equipment manufacturers with quality, convenience and flexibility:

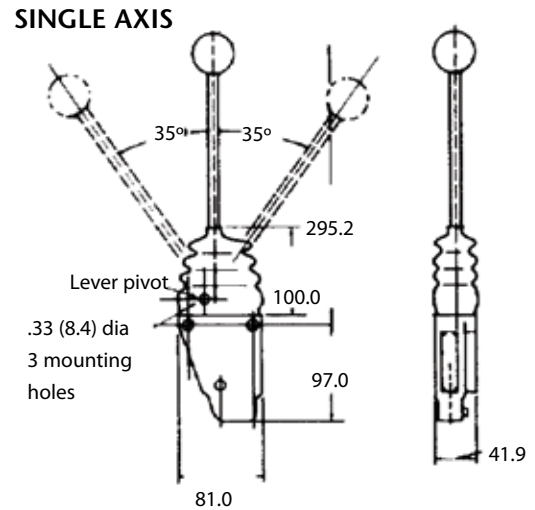
- We offer controls that are the industry standard for quality and durability
- Ease of installation -- the control can be flush mounted, side mounted, or banked together and through bolted, at the discretion of the installer -- no additional adapters are necessary
- Bonneted connection kits protect valve spool and cable end after installation
- Single and dual axis versions available

PRODUCT RANGE AND SPECIFICATIONS

DUAL AXIS



SINGLE AXIS



Single Axis systems consist of a control head, a cable of suitable length and a bonnet-type connection kit for each valve. Specify the correct cable length and appropriate conversion kit.

Dual Axis systems consist of a control head, two cables of suitable length and two valve connection kits.

SINGLE AXIS REMOTE VALVE CONTROL			
SELF-CENTERING	LEVER LENGTH	LOCKING	PART NUMBER
Yes	150mm	No	212501
Yes	250mm	No	212502
Yes	300mm	No	212503
No	150mm	No	212504
No	250mm	No	212505
No	300mm	No	212506
Yes	300mm 3/8-24 UNF	No	212507
No	425mm	No	212508
Yes	175mm 10mm Dia	No	212509
Yes	90° Bent	No	212510
	150mm	Yes - Neutral	207778
	250mm	Yes - Neutral	207780
	250mm	Yes - baulk in neutral	207671
	250mm 90°	Yes - baulk in neutral	207671-B10
DUAL AXIS REMOTE VALVE CONTROL			
SELF-CENTERING	LEVER LENGTH	LOCKING	PART NUMBER
Yes	250mm	No	211711
Yes	250mm 3/8-24 UNF	No	211713
Yes	350mm	No	211714
VALVE CONNECTION KITS		PART NUMBER	
Kontak 10		211596	
Kontak 18		211597	
Valvoil SD5, VCD20		211623	
Hydro Control HCD-3, HCD-10		211624	
Rexroth SM12		211627	
Hypro 8 GPM		211631	
BLB 40 / Bondioli DVS-4 / Dinoil DN		212042	
Nord U1000, MV50, MV60, RM240, VM500		212401	
Johnson S & R Servo		212403	
Nord R200, RM250, M400, U200, U700		212404	
Monsun Tison HV07		212408	
Commercial Hydraulics A20		212468	
Hamworthy 06 & SV033		212579	
Many more kits available. Please contact Kongsberg Automotive for further details.			
REMOTE VALVE CONTROL CABLES		PART NUMBER	
Standard cable for use with all valve connection kits		210498/L	
Cable with bulkhead fitting, M6 output rod		206362/L	
Cable with clamp fitting, M6 output rod		206363/L	
L - Cable length in mm			

OPTIONS:

- Optional Lever Locking Mechanism
- Range of Accessories available
 - Valve Kits
 - Knobs
 - Cable Clamps
- Optional Self-Centering Lever

FEATURES:

- Cable Travel
 - Single Axis 40mm (1.57")
 - Dual Axis 82mm (1.25")
- Max. Cable Load
 - 450N (100 lbs.)