



HANDS-ON CONTROL

AUXILIARY HAND CONTROL

The Kongsberg Automotive Light Load Value Control (LLVC) is designed to provide remote control of high pressure hydraulic valves, such as directional control spool valves. The valves and controls can be positioned for convenient installation and operation, eliminating the challenges of hydraulic lines.

The LLVC is extremely compact, so offers simple installation and can be used as a single control, or stacked to operate multiple valves. The controls are connected to the valve by our high efficiency push pull cable and a valve connection kit.

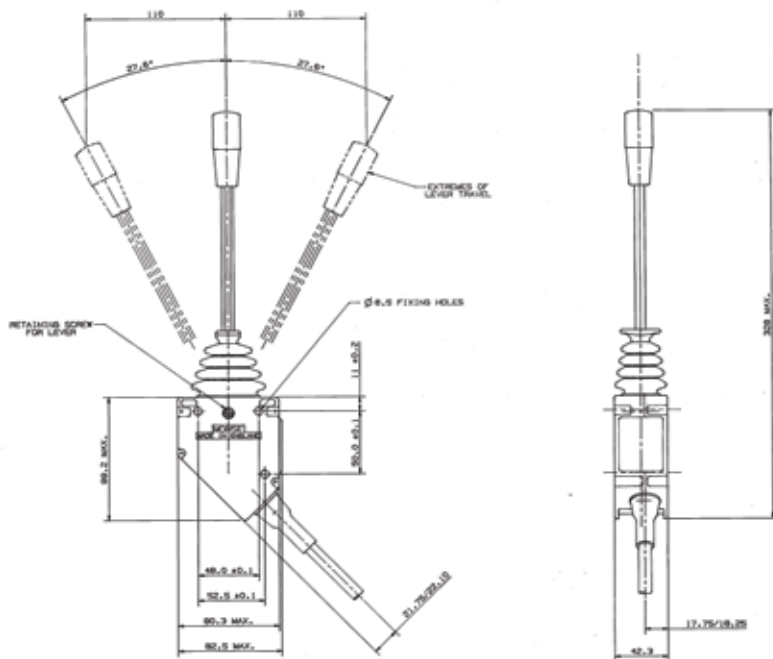
The Kongsberg Automotive LLVC combines flexibility, durability and reliability to meet the highest performance requirements of construction equipment and specialty vehicle manufacturers.



AT A GLANCE

- Designed to remotely control hydraulic valves
- Compact design
- Robust construction for use in harsh environments
- Simple installation – the control can be flush mounted, side mounted or banked together and through bolted.
- Proven reliability
- Many standard configurations available

PRODUCT SPECIFICATIONS



LIGHT LOAD VALVE CONTROL SELF CENTERING	LEVER	LOCKING POSITION	PART NUMBER
Yes	Straight	No	211111/001
Yes	Straight	Yes	211111/002
Yes	Bent	No	211111/003
Yes	Bent	Yes	211111/004
No	Straight	No	211111/005
No	Straight	Yes	211111/006
No	Bent	No	211111/007
No	Bent	Yes	211111/008

VALVE CONNECTION KITS

Kontak 10	211596
Kontak 18	211597
Valvoil SD5, VCD20	211623
Hydro Control HCD-3, HCD-10	211624
Rexroth SM12	211627
Hypro 8 GPM	211631
BLB 40 / Bondioli DVS-4 / Dinoil DN	212042
Nord U1000, MV50, MV60, RM240, VM500	212401
Johnson S & R Servo	212403
Nord R200, RM250, M400, U200, U700	212404
Monsun Tison HV07	212408
Commercial Hydraulics A20	212468
Hamworthy 06 & SV033	212579
Many more kits available. Please contact Kongsberg Automotive for further details.	

CONTROL CABLE

CONTROL CABLE	PART NUMBER
Standard cable for use with all valve connection kits	264531/L
L – Cable length in mm	

ACCESSORIES

Bulkhead mounting plate	210979
-------------------------	--------

OPTIONS:

- Choice of velocity ratio. Selected when fitting cable.
 - 6.96:1 - 32mm cable travel
 - 9.60:1 - 23mm cable travel
- Max Cable Load: 333N
- Optional Lever locking mechanism
- Huge range of accessories available:
 - Valve connection kits
 - Knobs
 - Cable clamps
- Integrated electrical switches available to detect lever position
- Available with or without self-centering springs
- Optional lock in central lever position.
- Available with lift tube locking system and customizable gate positions

