



HANDS - ON CONTROL

HAND CONTROLS

The Kongsberg Automotive B10 Hand Control is designed to provide a robust solution to a wide range of control requirements, including power take-off applications, throttle controls, mechanical shifting, or basic on-off functions.

The B10 Control can operate independently, or as an integrated system connected to a Kongsberg Automotive heavy duty pedal (HDP). When combined with our cables, these control systems are designed to perform smoothly in the harshest environments, while providing excellent operator feedback.

The Kongsberg Automotive B10 Hand Control combines flexibility, durability and reliability to meet the highest performance requirements of construction equipment and specialty vehicle manufacturers.



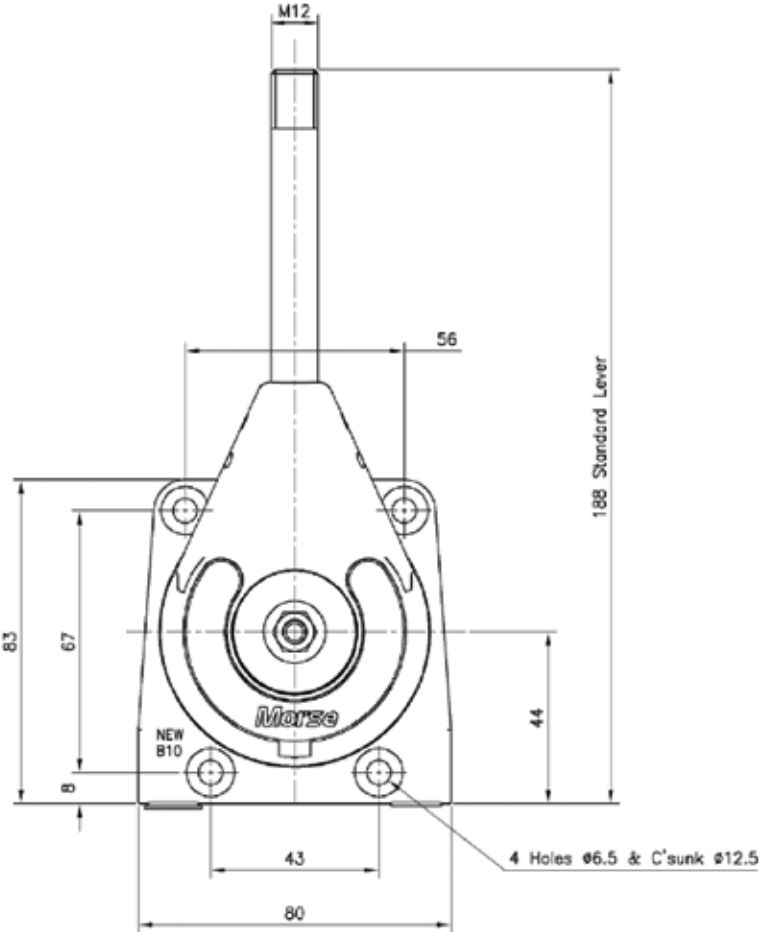
AT A GLANCE

The flexible B10 Control can serve a wide range of applications, including:

- Proven Reliability
- Power Take-Off
- Throttle Control
- Mechanical Shifting Control
- Basic On-Off Function
- Rugged construction for smooth operation in harsh environments

B10 HAND CONTROL

PRODUCT SPECIFICATIONS



TECHNICAL SPECIFICATION	
Material	Die cast Mazak Body Steel lever shaft
Mechanical Advantage	5:1
Lever stops	15° increments
Lever rotation	138° maximum
Lever length	144mm / 180mm Options available
Lever offset	48mm std Options available
Cable Travel	75 mm maximum
Detents	Optional Custom positions
Friction	Adjustable friction setting Positive lock model available

B10 HAND CONTROL	PART NUMBER
Control - Bent Lever	224358
Control - Straight Lever	224350
Cable for use with B10	206519/Length required

OPTIONS:

- The B10 Control can operate independently, or as an integrated system connected to a Kongsberg Automotive heavy duty pedal (HDP).
- Push-pull and pull only versions available.
- Black or silver finish
- Can be supplied with cables ready fitted for ease of assembly.
- Adjustable stops for lever and cable travel.
- Wide range of lever options available